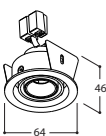


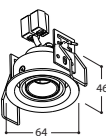
ref name MICRO ECLIPS

ref	name	finish	power
497426	MICRO ECLIPS LEAF 2700K	TEXTURED BLACK	2700K
497447	MICRO ECLIPS LEAF 2700K	TEXTURED WHITE	2700K
497492	MICRO ECLIPS LEAF 2700K	TEXTURED WHITE + GOLD	2700K
497494	MICRO ECLIPS LEAF 2700K	TEXTURED WHITE + BLACK FOCUS	2700K
497495	MICRO ECLIPS LEAF 2700K	TEXTURED BLACK+TEXT WHITE FRONT	2700K
497496	MICRO ECLIPS LEAF 2700K	BLACK + GOLD	2700K
497416	MICRO ECLIPS LEAF 3000K	TEXTURED BLACK	3000K
497437	MICRO ECLIPS LEAF 3000K	TEXTURED WHITE	3000K
497482	MICRO ECLIPS LEAF 3000K	TEXTURED WHITE + GOLD	3000K
497484	MICRO ECLIPS LEAF 3000K	TEXTURED WHITE+BLACK FOCUS	3000K
497485	MICRO ECLIPS LEAF 3000K	TEXTURED BLACK+TEXT WHITE FRONT	3000K
497486	MICRO ECLIPS LEAF 3000K	BLACK+GOLD	3000K
497436	MICRO ECLIPS LEAF 4000K	TEXTURED BLACK	4000K
497457	MICRO ECLIPS LEAF 4000K	TEXTURED WHITE	4000K
497462	MICRO ECLIPS LEAF 4000K	TEXTURED WHITE + GOLD	4000K
497464	MICRO ECLIPS LEAF 4000K	TEXTURED WHITE+BLACK FOCUS	4000K
497465	MICRO ECLIPS LEAF 4000K	TEXTURED BLACK+TEXT WHITE FRONT	4000K
497466	MICRO ECLIPS LEAF 4000K	BLACK+GOLD	4000K
497126	MICRO ECLIPS TORSION 2700K	TEXTURED BLACK	2700K
497147	MICRO ECLIPS TORSION 2700K	TEXTURED WHITE	2700K
497192	MICRO ECLIPS TORSION 2700K	TEXTURED WHITE + GOLD	2700K
497194	MICRO ECLIPS TORSION 2700K	TEXTURED WHITE + BLACK FOCUS	2700K
497195	MICRO ECLIPS TORSION 2700K	TEXTURED BLACK + TEXT WHITE FRONT	2700K
497196	MICRO ECLIPS TORSION 2700K	BLACK + GOLD	2700K
497116	MICRO ECLIPS TORSION 3000K	TEXTURED BLACK	3000K
497137	MICRO ECLIPS TORSION 3000K	TEXTURED WHITE	3000K
497182	MICRO ECLIPS TORSION 3000K	TEXTURED WHITE + GOLD	3000K
497184	MICRO ECLIPS TORSION 3000K	TEXTURED WHITE+BLACK FOCUS	3000K
497185	MICRO ECLIPS TORSION 3000K	TEXTURED BLACK+TEXT WHITE FRONT	3000K
497186	MICRO ECLIPS TORSION 3000K	BLACK+GOLD	3000K
497136	MICRO ECLIPS TORSION 4000K	TEXTURED BLACK	4000K
497157	MICRO ECLIPS TORSION 4000K	TEXTURED WHITE	4000K
497162	MICRO ECLIPS TORSION 4000K	TEXTURED WHITE + GOLD	4000K
497164	MICRO ECLIPS TORSION 4000K	TEXTURED WHITE+BLACK FOCUS	4000K
497165	MICRO ECLIPS TORSION 4000K	TEXTURED BLACK+TEXT WHITE FRONT	4000K
497166	MICRO ECLIPS TORSION 4000K	BLACK+GOLD	4000K

LEAF



TORSION



safe distance to object	- 0,1m -
lamp / (lum.flux) / (colortemp)	Luxeon M 400lm / 429lm / 470lm 2700K / 3000K / 4000K
fitting	None
watt	3,82W
voltage or current	350mA DC (Vf = 10.95V)
symbol	
gear	Converter not incorporated
ip/class	IP20
application	Ceiling mounted
orientability	15°-20° (inner-outer ring)
dimmability	PWM dimmable
weight	0.1
beamangle	36°
CRI	90
SDCM	3

INSTALLATIE- EN ONDERHOUDSRICHTLIJNEN m.b.t. FABRIEKSGARANTIE.
1. DE VERBINDINGEN EN HET UITTESTEN VAN DEZE TOESTELLEN DIENEN ALTIJD TE GEBEUREN DOOR EEN ERKENND ELECTRO-INSTALLATEUR.
2. DEZE VERBODINGSSTELLEN MOETEN GE'INSTALLEERD, VERBONDEN EN GETEST WORDEN VOLGENS DE NATIONAAL GELDENDEN REGLEMENTEN OP DE ELECTRISCHE INSTALLATIES (BELGIE?, A.R.E.I., DUITSLAND: DIN VDE 0100 TEIL 559 A2, ...; DEZE OPSOMMING IS LOUWER INFORMATIEF).
3. DE TECHNISCHE BIJSLUITER MOET GEZIEN WORDEN ALS ONDERDEEL VAN DE ALGEMENE VERKOOPSVOORWAARDEN VAN TAL N.V.
4. DE ELECTRO-INSTALLATEUR IS VERANTWOORDELIJK VOOR HET GEBRUIKEN VAN VOORSCHAKELAPPARATUUR DIE VOLDOET AAN DE GELDENDEN CE EN EMC NORMEN.
5. VERWIJG DE LAMP (EN) ALTIJD MET DE GROOTSTE ZORG, ZE IS (ZIJN) UITERST BREEKBAAR.
6. OPGEPAST: PLAATS NOOIT DE LAMP MET BLOTE HANDEN, GEBRUIK ALTIJD EEN DOEK!

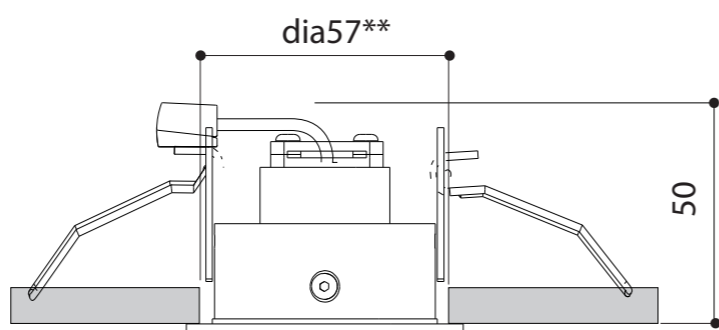
INSTRUCTIONS D'INSTALLATION ET D'ENTRETIEN A RESPECTER VIS-A-VIS DE LA GARANTIE.
1. LE PLACEMENT, LE RACCORDEMENT ET L'ESSAI DE CET APPAREIL DOIVENT TOUJOURS ENTRE EFFECTUES PAR UN INSTALLATEUR ELECTRICIEN AGREE.
2. LES LUMINAIRES DOIVENT ETRE INSTALLEZ, BRANCHEZ ET TESTES SUVANT LE REGLEMENT NATIONAL SUR LES INSTALLATIONS ELECTRIQUES EN VIGILUR. (BELGIQUE: A.R.E.I., ALLEMAGNE: DIN VDE 0100 TEIL 559 A2, ...; CETTE ENUMERATION EST INDICATIVE)
3. CE MANUEL D'INSTALLATION TECHNIQUE REPRESENTE UNE PARTIE DES CONDITIONS GENERALES DE VENTE DE TAL N.V.
4. L'ELECTRO-INSTALLATEUR EST RESPONSABLE POUR L'USAGE DE BALLASTS, TRANSFO'S, ...CONFORMES AUX NORMES CE ET EMC EN VIGILUR.
5. REMPLACEZ TOUJOURS L'AMPOULE (LES AMPOULES) AVEC PRUDENCE: ELLE(S) EST (SONT) TRES FRAGILE(S).
6. ATTENTION: NE JAMAIS REMPLACER L'AMPOULE AUX MAINS NUES, UTILISEZ TOUJOURS UN CHIFFON!

INSTALLATION AND MAINTENANCE INSTRUCTIONS IN VIEW OF THE MANUFACTURER'S GUARANTEE.
1. THE CONNECTION AND TESTING OF THE DEVICES SHOULD ALWAYS BE PERFORMED BY A RECOGNIZED ELECTRICIAN.
2. THESE LIGHTING DEVICES NEED TO BE INSTALLED, CONNECTED AND TESTED FOLLOWING THE OFFICIAL NATIONAL INSTRUCTION GUIDE FOR ELECTRICAL INSTALLATIONS (BELGIUM, A.R.E.I., GERMANY: DIN VDE 0100 TEIL 559 A2, ...; THIS ENUMERATION IS JUST AN INDICATION)
3. THIS TECHNICAL ENCLOSURE NEEDS TO BE ADDED TO THE GENERAL SALES CONDITION OF THE TAL N.V.
4. THE ELECTRO TECHNICIAN IS RESPONSABLE TO USE BALLASTS, TRANSFORMERS, ...WHICH MEET THE VALID CE AND EMC RULES.
5. ALWAYS REPLACE THE LAMP (S) WITH UTMOST CAUTIONSNESS, THE LAMP (S) IS (ARE) VERY FRAGILE.
6. ATTENTION: NEVER REPLACE THE LAMP WITH BARE HANDS, ALWAYS USE A CLOTH!

MONTAGE- UN UNTERHALT INSTRUCTIONS ZU BEACHTEN MIT BEZUG AUF DER GARANTIE.
1. DIE MONTAGE, DER ANSCHLUSS UND DAS AJUSTESTEN DER LEUCHTEN SOLL IMMER VON EINEM ZUSTANDIGEN ELECTRO-INSTALLATEUR AUSGEFUHRT WERDEN.
2. DIESE LEUCHTEN MÜSSEN INSTALLIERT, ANGESCHLOSSEN UND GETESTET WERDEN NACH DER ALLGEMEINEN NATIONALEN REGLEMENTATION ÜBER DIE ELEKTRISCHE INSTALLATIONEN (BELGIEN, A.R.E.I., DEUTSCHLAND: DIN VDE 0100 TEIL 559 A2, ...; DIESE AUFSTELLUNG GESCHICHT DURCH EXEMPLATIVEN TITEL UND KANN NICHT ALS LIMITATIV ODER ERHÄUTLIV BETRACHTET WERDEN).
3. DIESE TECHNISCHE GEBRAUCHSANWEISUNG GEHÖRT ZU DEN ALLGEMEINEN VERKAUFSBEDINGUNGEN VON TAL N.V.
4. DER ELEKTRO-INSTALLATEUR IST VERANTWORTLICH FÜR DAS VERWENDEN VON CE UND EMC GEPRÜFTE VORSCHALTGERÄTE.
5. DIE LAMPEN (SOLL (EN)) IMMER SEHR VORSICHTIG ERSAETZT WERDEN.
6. VORSICHT: MAN DARF NIE DIE LAMPE MIT DEN NACKTEN HAENDEN BERÜHREN, MAN SOLL IMMER EINEN TUCH BENUTZEN!

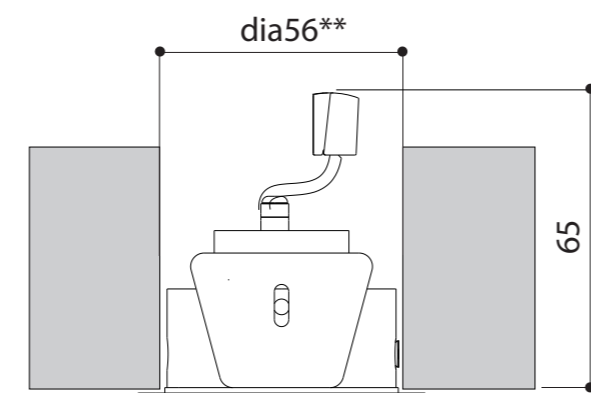
① MAKE HOLE :

Torsion (only for hollow ceilings) :

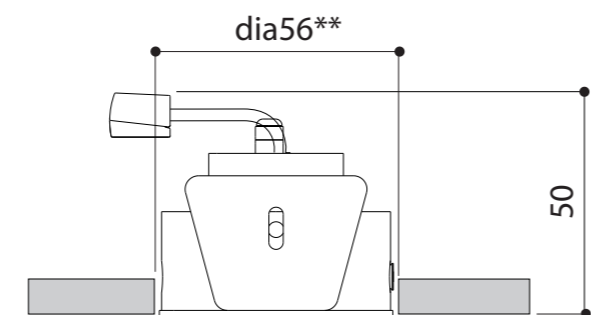


MIN. INSTALLATION DEPTH IN HOLLOW CEILINGS: 50mm
MIN. CEILING THICKNESS: 9,5mm
MAX. CEILING THICKNESS: 25mm

Leaf (for all ceiling types) :



MIN. INSTALLATION DEPTH IN SOLID CEILINGS: 65mm



MIN. INSTALLATION DEPTH IN HOLLOW CEILINGS: 50mm

**for metal, wood and plasterboard use standard drill size 57mm

**for concrete use standard drill size 56mm

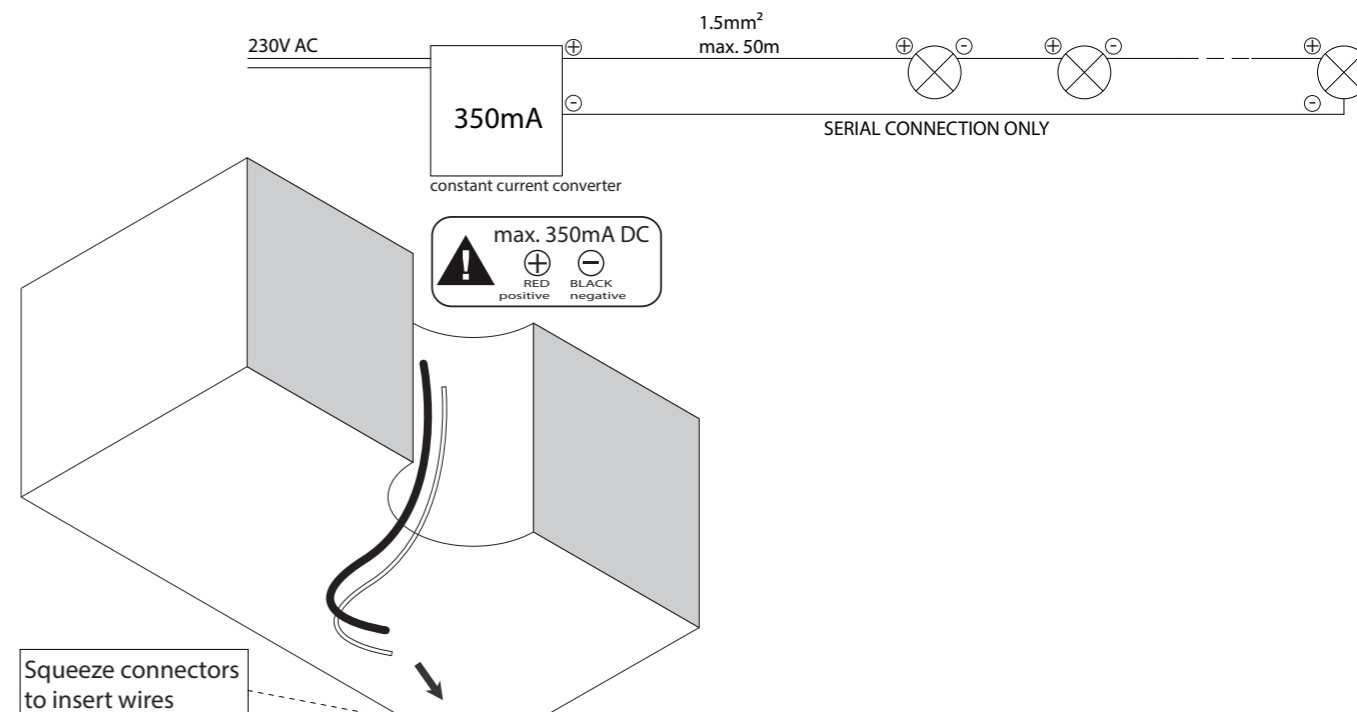


ALWAYS DISCONNECT MAINS POWER SUPPLY FROM CONVERTER BEFORE SWITCHING "ON" LED LUMINAIRES TO PREVENT HOT PLUGGING ISSUES



FOR COMPATIBLE CONVERTERS SEE LEDCONVERTER MATRIX

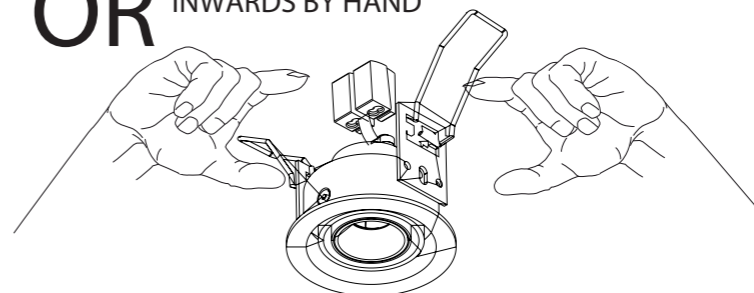
② MAKE CONNECTION WITH 2 TERMINAL BLOCKS



Squeeze connectors to insert wires

③ PUSH LUMINAIRE GENTLY INTO HOLE BY DEFORMING 2 LEAF SPRINGS INWARDS BY HAND

OR



③ PUSH LUMINAIRE GENTLY INTO HOLE BY DEFORMING 2 TORSION SPRINGS UPWARDS BY HAND

④ SWITCH ON MAINS POWER SUPPLY

